

CmStick/M 1GB ME

Description

The CmStick/M is the heart of the CodeMeter Digital Rights Management system in a small USB hardware device. It contains a SmartCard chip including a secure memory with a minimum of 128 kbyte including about 60 kbyte available for storing more than 1000 licenses plus additional 1 GB flash memory which can be used as a removable drive. The basic idea of the revolutionary CodeMeter concept is that this memory can be used by many different vendors at the same time.

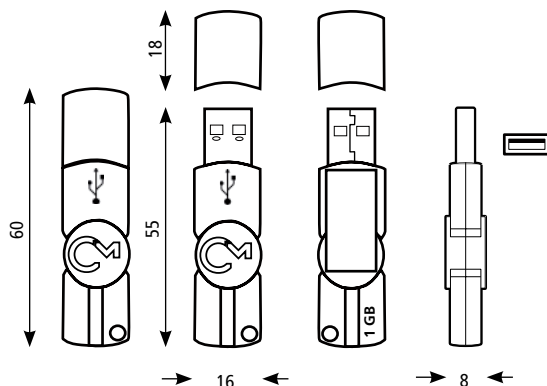
License Options are: Text (description of an entry), Unit Counter (number of runs or actually running time of a license), Activation Time (the license is valid from), Expiration Time (the license is valid until), Feature Map (up to 32 modules can be programmed in one Feature Map), Network License Quantity (concurrent use / floating licenses within one network), Protected Data (read-only data, up to 256 bytes), Extended Protected Data (128x256 bytes read-only data), Hidden Data (only readable with password; useful as secret/private encryption key, 128x256 bytes), Secret Data (non-readable; useable as secret/private encryption key, 128x256 bytes), User Data (unsecured 256 bytes), Customer Serial Number (256 bytes).

Used algorithms: 128 bit AES, TDES, SHA-256, 224 bit ECC.

The used SmartCard chip contains a random number generator according to FIPS140-1 and fulfills EAL 4+ (Common Criteria, not certified). The CmStick has a green LED and a red LED which are controlled by software. Additionally, the green LED shows flash memory access.

Technical Specifications

- **Interface:** Hi-Speed USB 2.0 certified (backward compatible with USB 1.1)
- **Data retention:** >10 years @ 100k program/erase cycles
- **Power supply:** 5 V bus-powered, < 100 mA
- **Temperature:** 0...55 degree C, non-condensing
- **Case/Dimensions:** 8 mm x 16 mm x 60 mm (without cover 55 mm)
- **Weight:** CmStick 24 g (without cover 19 g)



Certificates

The CmStick/M1024 is tested and qualified with the following standards:

■ CE-Conformity | European Certificates

Radiated Emissions according to EN 55022/2003 (DIN VDE 0878 Part22, EN 55022:1998 + A1:2000 + A2:2003.

Immunity according to EN55024 (VDE 0878 part 24): 2003-10; EN 55024:1998 + A1:2001 + A2:2003 against:

Radiated Radio Frequency (RF) and electromagnetic field Electrostatic Discharge (ESD), air discharge

Conducted Electromagnetic F

Fast Transient Bursts

DIN EN 61000-3-2 (VDE 0838 part 2):2001-12;

EN 61000-3-2:2000

DIN EN 61000-3-3 (VDE 0838 part 3):2002-05;

EN 61000-3-3:1995 + Corr.: 1997 + A1:2001

■ International Certificates

FCC Part 15, Subpart B / VCCI 2003-04 (Japan)

■ Other Certificates

VDE / TÜV / GS / UL C-UL-US listed I.T.E. Accessory 10WB, E-File 211202

The encryption device is only for use with UL listed PCs (low power system). Meets UL 60950-1 and CSA C22.2 No. 60950-1 Safety of Information Technology Equipment.

Listed on USB Integrators List.

All CmSticks marked as RoHS are fully compliant according to EC Directives 2002/95/EC (RoHS) and 2002/96/EC (WEEE).

Ordering Information

P/N 1011-01-134: CmStick/M1024 bulk
Other variants on request.



RoHS compliant
WEEE-Reg-No:
DE 90465365

All dimensions in millimeter.
Subject to change without
notice.



WIBU-SYSTEMS AG
Rueppurrer Strasse 52-54
D-76137 Karlsruhe
Tel: +49-721-93172-0
Fax: +49-721-93172-22
info@wibu.com
www.wibu.com

WIBU
SYSTEMS