

CmCard/E

Description

The CmCard/E is the heart of the CodeMeter Digital Rights Management system in a ExpressCard|34* hardware device. It contains a SmartCard chip including a secure memory with a minimum of 128 kbyte including about 60 kbyte available for storing more than 1000 licenses plus additional 1 GB flash memory which can be used as a removable drive. The basic idea of the revolutionary CodeMeter concept is that this memory can be used by many different vendors at the same time.

License Options are: Text (description of an entry), Unit Counter (number of runs or actually run time of a license), Activation Time (the license is valid from), Expiration Time (the license is valid until), Usage Period (starts at first time), Feature Map (up to 32 modules or versions), License Quantity (concurrent use / floating network licenses), Protected Data / Extended Protected Data (128x256 bytes read-only data), Hidden Data (128x256 bytes only readable with password; usable as secret/private key), Secret Data (128x256 bytes non-readable, only usable as secret/private key), User Data (unsecured 256 bytes), Customer Owned License Information (256 bytes).

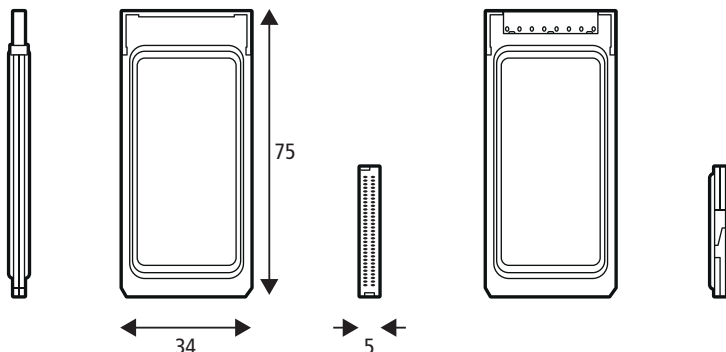
Used algorithms: 128 bit AES, SHA-256, 1024 bit RSA, 224 bit ECC.

The embedded SmartCard chip contains a random number generator according to FIPS140-1 and fulfills EAL 4+ (Common Criteria, not certified).

Technical Specification

- **Interface:** ExpressCard|34* Standard
- **Data retention:** >10 years @ 100k program/erase cycles, using SLC-Nand-Flash memory
- **Power supply:** 3,3 V, < 100 mA
- **Temperature:** 0..55 degree C, non-condensing
- **Case/Dimensions:** 75 mm x 34 mm x 5 mm
- **Weight:** 16 g

*ExpressCard and PC Card are registered trademarks of PCMCIA.



Certificates

The CmCard/E is tested and qualified with the following standards:

■ CE-Conformity | European Certificates

Radiated Emissions according to EN 55022/2003 (DIN VDE 0878 Part22, EN 55022:1998 + A1:2000 + A2:2003.

Immunity according to EN55024 (VDE 0878 part 24):

2003-10; EN 55024:1998 + A1:2001 + A2:2003 against:
Radiated Radio Frequency (RF) and electromagnetic field

Electrostatic Discharge (ESD), air discharge

Conducted Electromagnetic RF

Fast Transient Bursts

DIN EN 61000-3-2 (VDE 0838 part 2):2001-12;

EN 61000-3-2:2000

DIN EN 61000-3-3 (VDE 0838 part 3):2002-05;

EN 61000-3-3:1995 + Corr.: 1997 + A1:2001

■ International Certificates

FCC Part 15, Subpart B / VCCI 2003-04 (Japan)

All CmCard/E are fully RoHS compliant according to EC Directives 2002/95/EC (RoHS) and 2002/96/EC (WEEE).

Ordering Information

P/N 1030-01-104: CmCard/E 1GB bulk

Other variants on request.



Article-No:
1030-01-104



RoHS compliant
WEEE-Reg-No:
DE 90465365

All dimensions in millimeter.
Subject to change without
notice.



WIBU-SYSTEMS AG
Rueppurrer Strasse 52-54
D-76137 Karlsruhe
Tel: +49-721-93172-0
Fax: +49-721-93172-22
info@wibu.com
www.wibu.com

WIBU
SYSTEMS